

MonCaso301 Product Guide



Ver 2.0

Please read this manual carefully before system installations.

Thank you for purchasing our Moneual products.

Additional support such as driver downloads can be found on our website: www.moneual.com.

Moneual™

Contents

• Product Introduction	3
• MonCaso 301 Drawing	4
• Diagram Description	5
• Assembly Instructions	
1. Removal of Top Cover	6
2. Attaching the HDD,ODD	7
3. Attaching the DVD Bezel	8
4. Attaching the M/B,PSU	9
• MonCaso301 Cable Connector	10
• Cable Connections	12

Product Introduction



MonCaso301 Series Designed For Home Theater Systems

• Versatility Design

Meet all your media needs without the media bulk with the sleek MCE303 Home Theater PC case. With the simple yet sophisticated design, easy-to-read VFD screen, full compatibility with all Windows Operating Systems, and full range of control options, MCE303 HTPC cases are peerless in functionality, as well as in design.

• Specification

Case Type	Desktop
Dimension(mm/inch)	432W x 105H x 410D/17.00W x 4.13H x 16.13L
Available Color	Silver,Black
Material	Front:Aluminum,Chassis: Secc,Top:Secc
M/B Type	micro ATX
Front Asses	Dual USB2.0,IEEE1394 Firewire,Audio&MIC
VFD Type	Samsung 2 x 16 Characters VFD)
PSU Type	Standard ATX
Cooling Fan	Side: 80mm Fan
External 5.25" Bay	1
External 3.25" Bay	1
Internal 3.25" Bay	2
Weight (Case Only)	5.44Kg/ 12lbs
iMON	iMON VFD (PAD)

MonCaso 301 Drawing

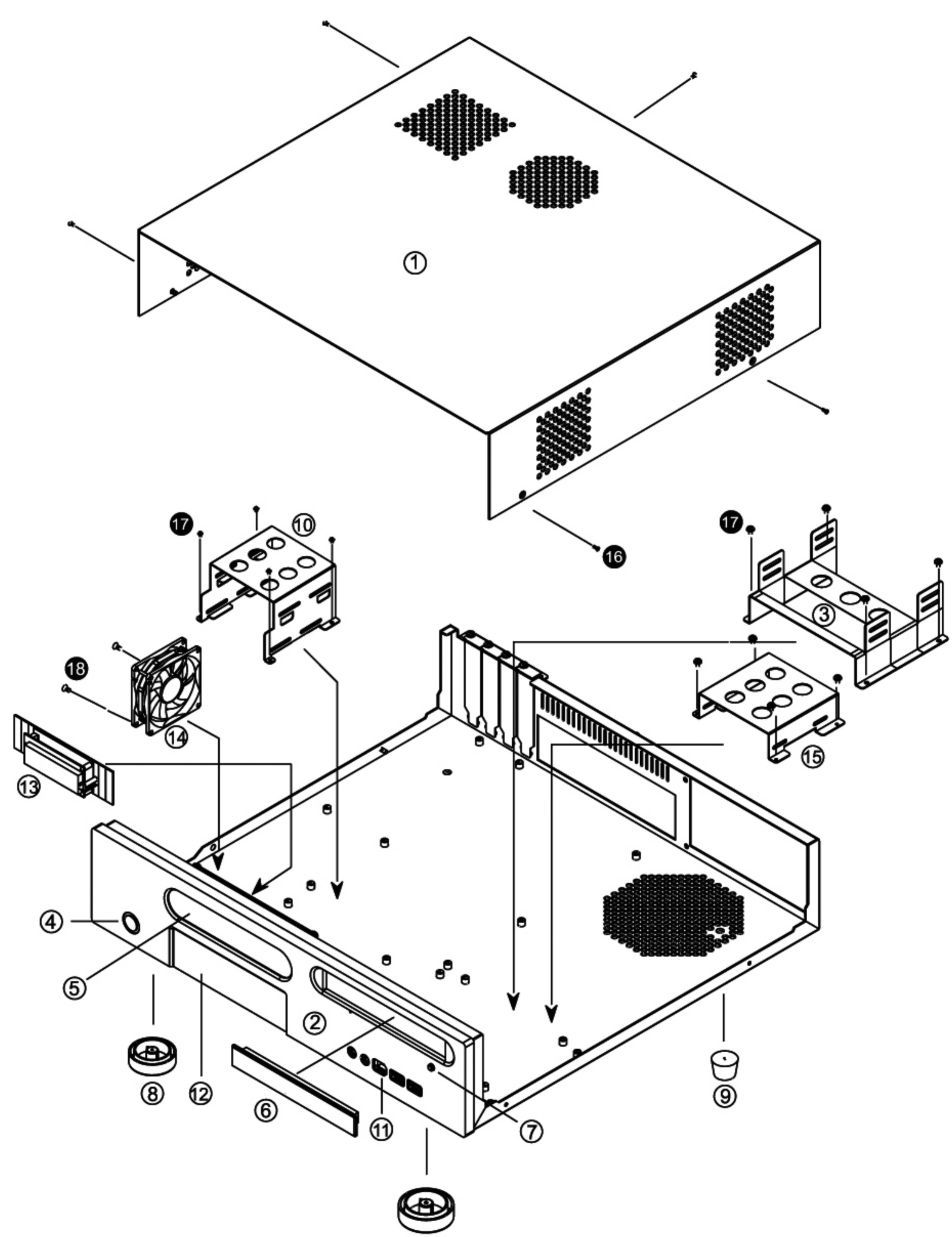







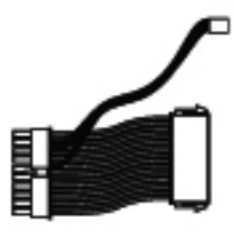


Diagram Description

Number	Description	Number	Description
①	Top Panel	⑨	Rubber Foot
②	Front Bezel	⑩	HDD Cage
③	ODD Cage	⑪	Front ports
④	Power Button	⑫	Front Door
⑤	VFD Glass	⑬	Multi Median
⑥	ODD Bezel	⑭	Side Fan 80mm
⑦	Eject Button	⑮	Hdd Cage 2
⑧	Audio Foot		

● **Screws**

⑯ Top Cover Screws	
⑰ ODD,HDD Bracket Screws	
⑱ Side Fan Screws	

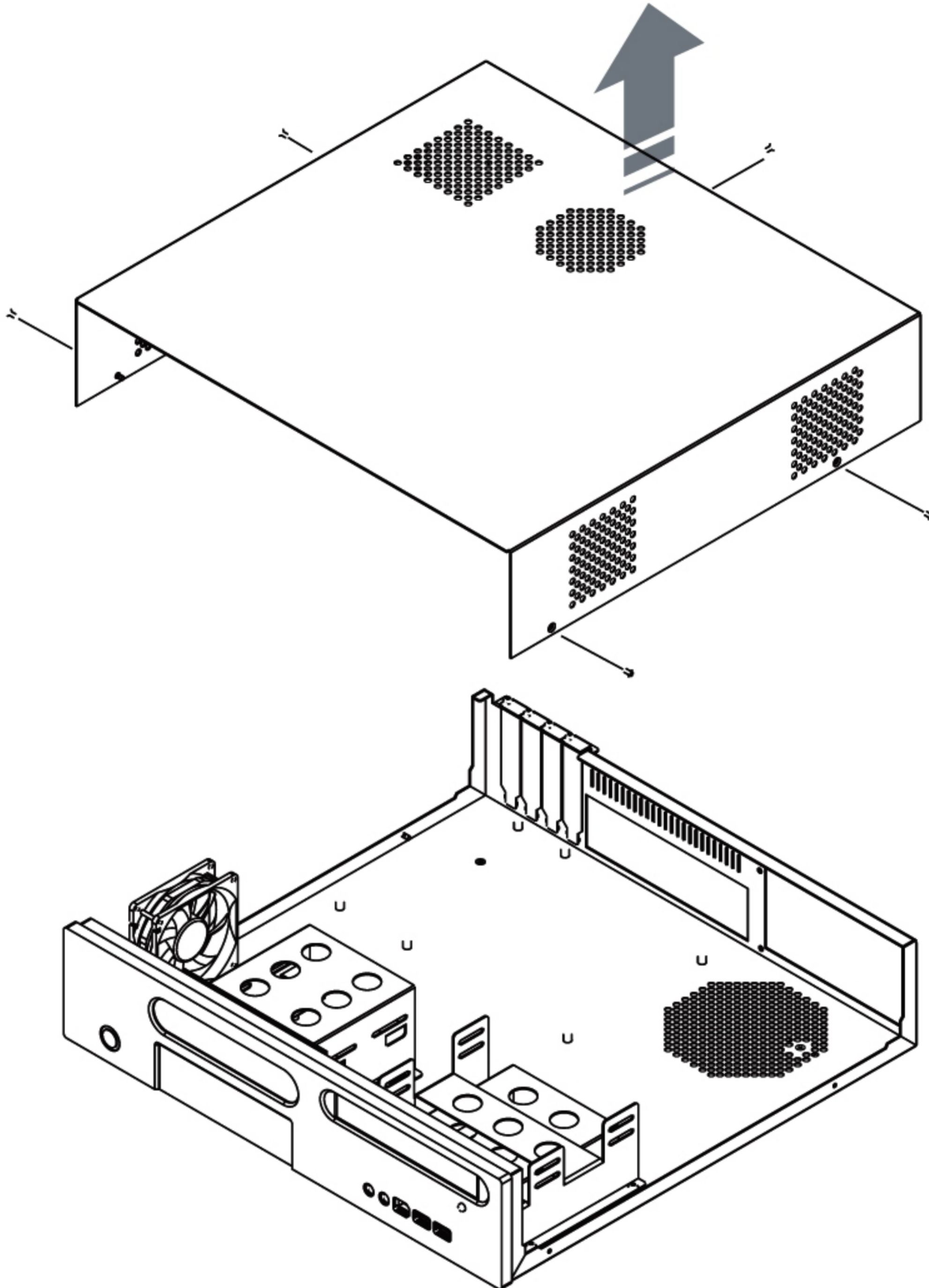
● **Accessory**

				
Remote Control	Batteries	iMON Power Cable	Users Guide	ODD Bezel

Assembly Instructions

1. Removal of Top Cover

Refer to the diagram to loosen the five Top Cover screws and lift the Top Cover to remove.

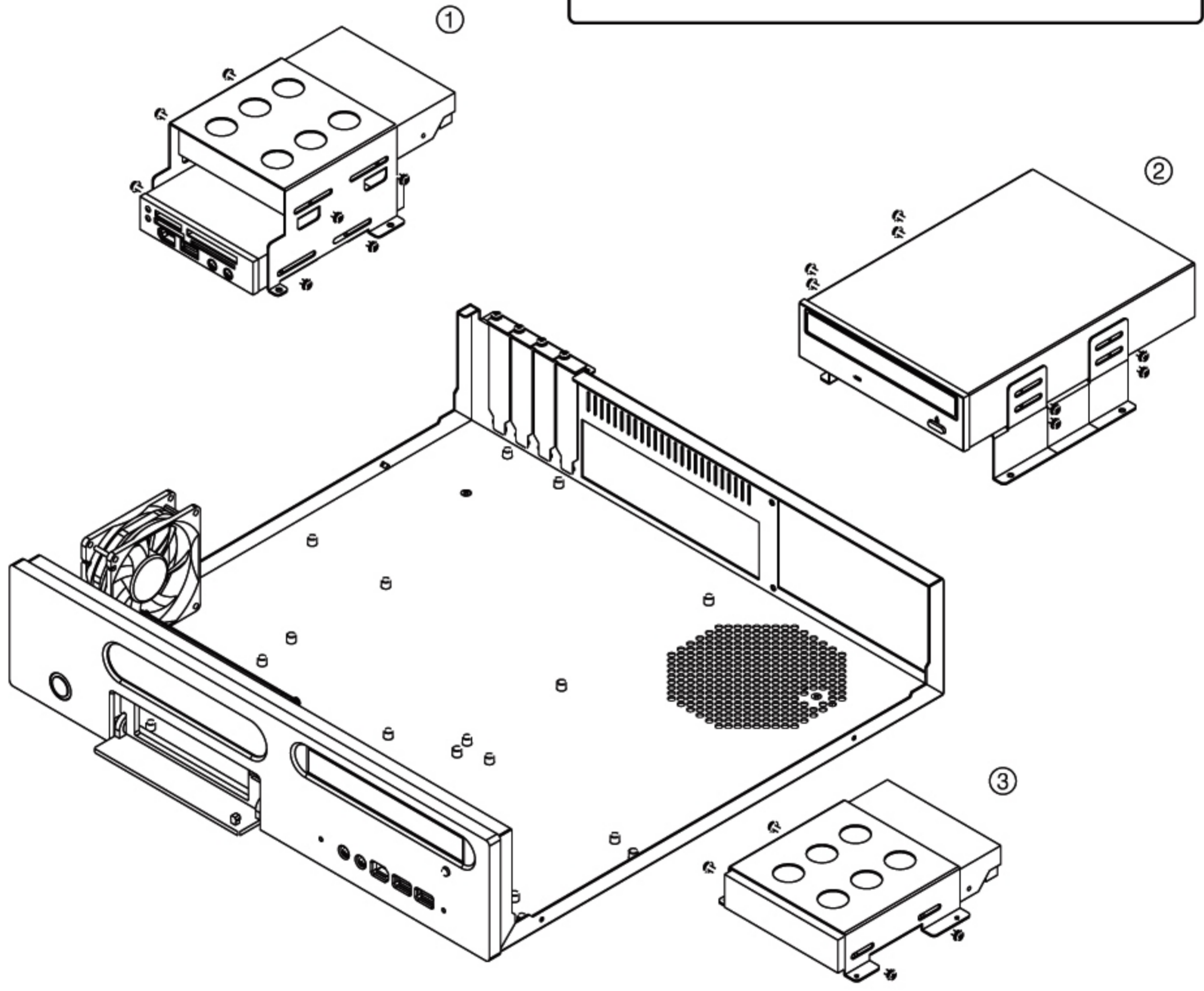
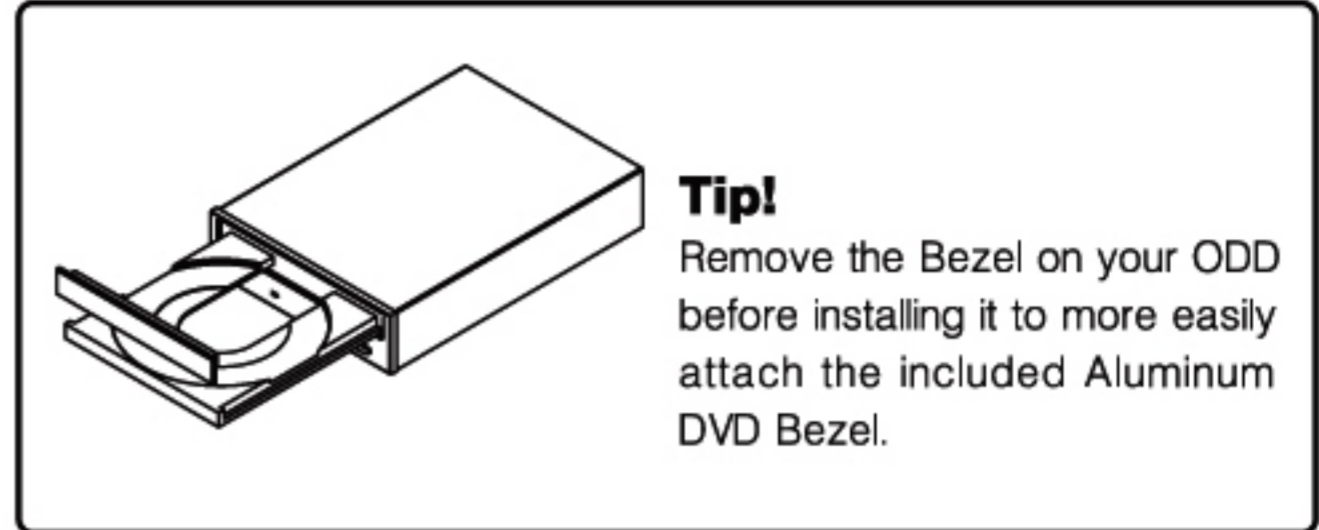


! Caution:

Please make sure when using an automatic screwdriver that settings are on low, as automatic screwdrivers may cause damage to screw tops. Attention during assembly may be required as aluminum is easily prone to scratches on the surface. Watches, rings, or bracelets can possibly cause damage to the surface of the case.

Assembly Instructions

2. Attaching the HDD, ODD



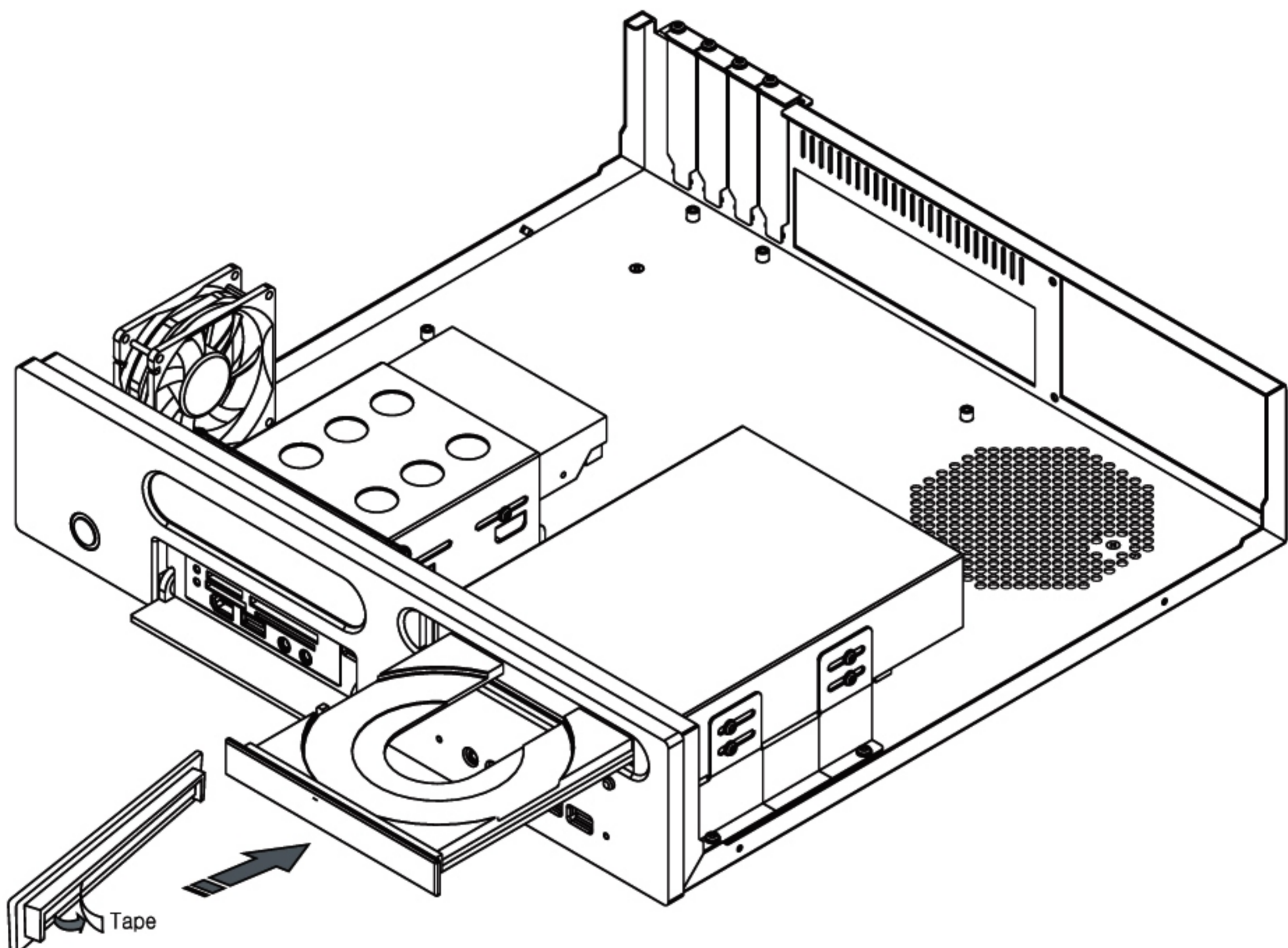
1. Refer to ① in the diagram to attach a Card Reader or FDD below an HDD in the HDD cage.
2. Refer to ② in the diagram to attach an ODD inside the ODD cage.
3. Refer to ③ in the diagram to attach an HDD to the second HDD cage.
(Moneual recommends attaching an S-ATA HDD. Because of the distance from HDD Cage 1 to HDD cage 2, a standard IDE Cable will not be able to set up the HDD in a Master and Slave format.)

Assembly Instructions

3. Attaching the DVD Bezel

Remove the protective cover from the tape attached to the back of the included DVD Bezel and attach to the front of the ODD tray.

(Make sure that the ODD Tray and ODD slot on the chassis are aligned before Attaching the DVD Bezel).

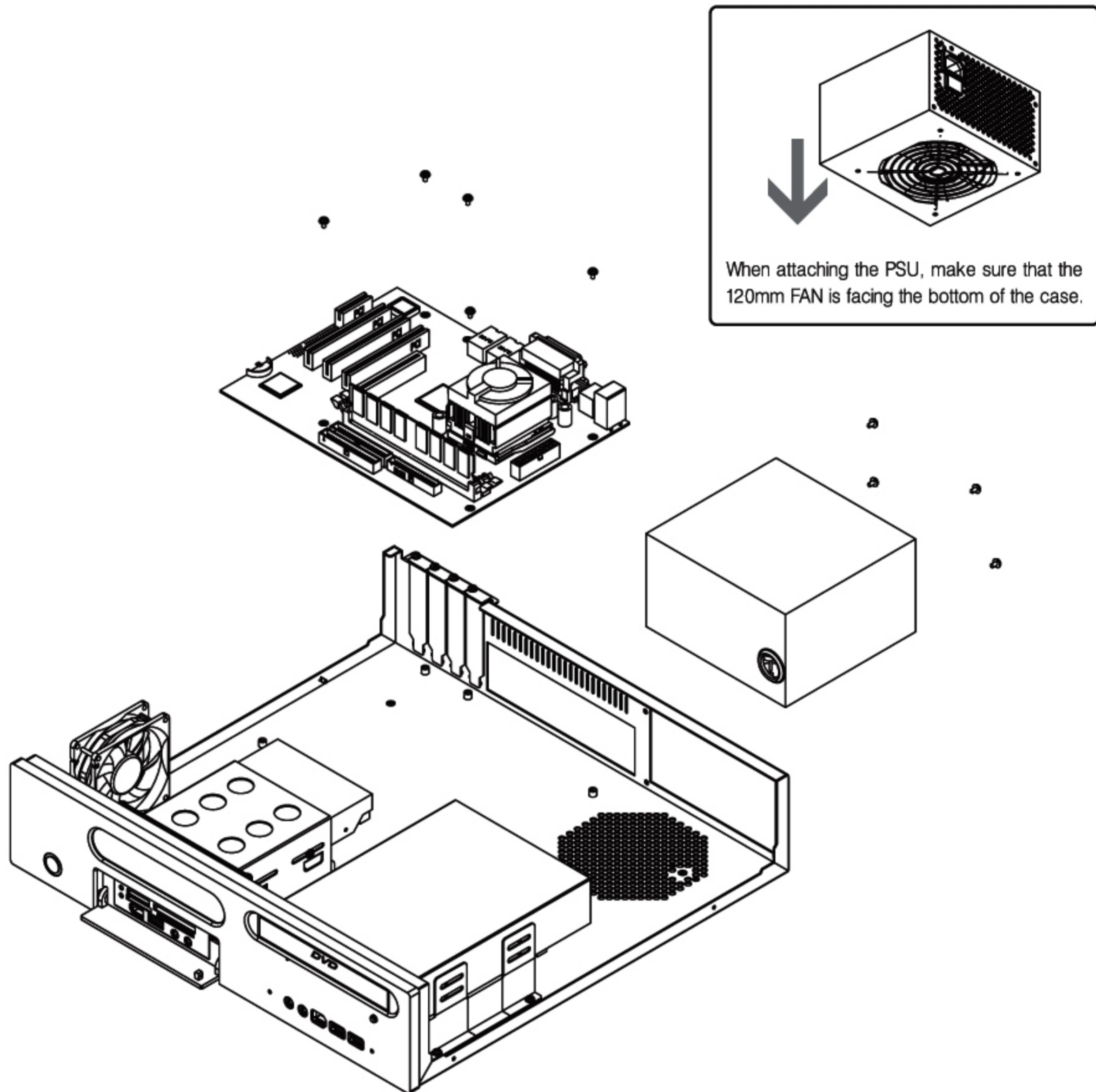


Tip!

When attaching the DVD Bezel, certain models of ODD tray may not fit the Bezel. If in this case, simply cut away some of the excess areas of the ODD tray to fit the Bezel and attachment will be possible.

Assembly Instructions

4. Attaching the M/B, PSU

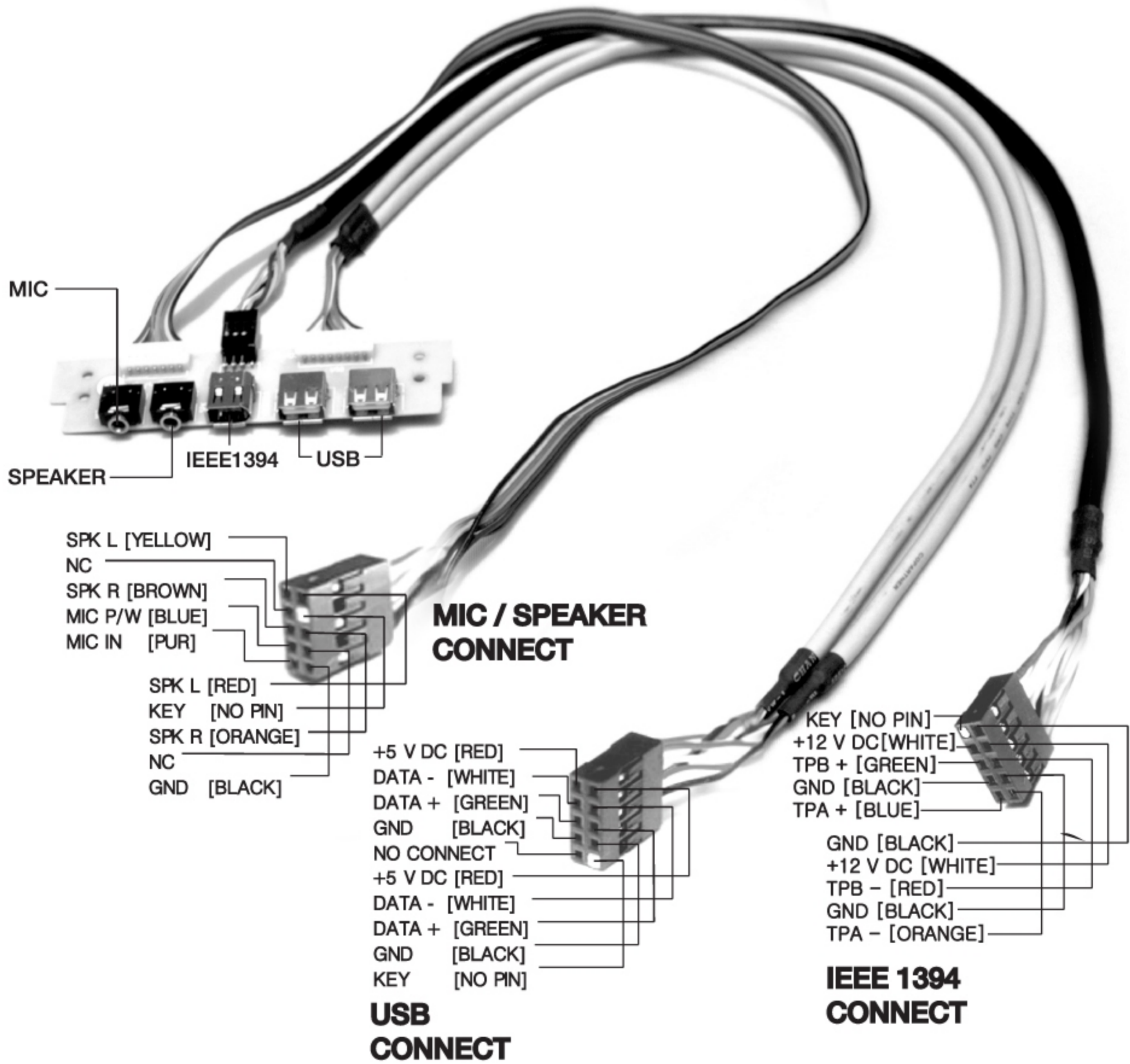


1. Attached the M/B and PSU according to the diagram so the screws fit into their assigned holes.
2. Attach Your PCI Cards and Graphic Cards.
(Please use the screws that came with your PCI card and Graphics Card for this portion.)

Tip!

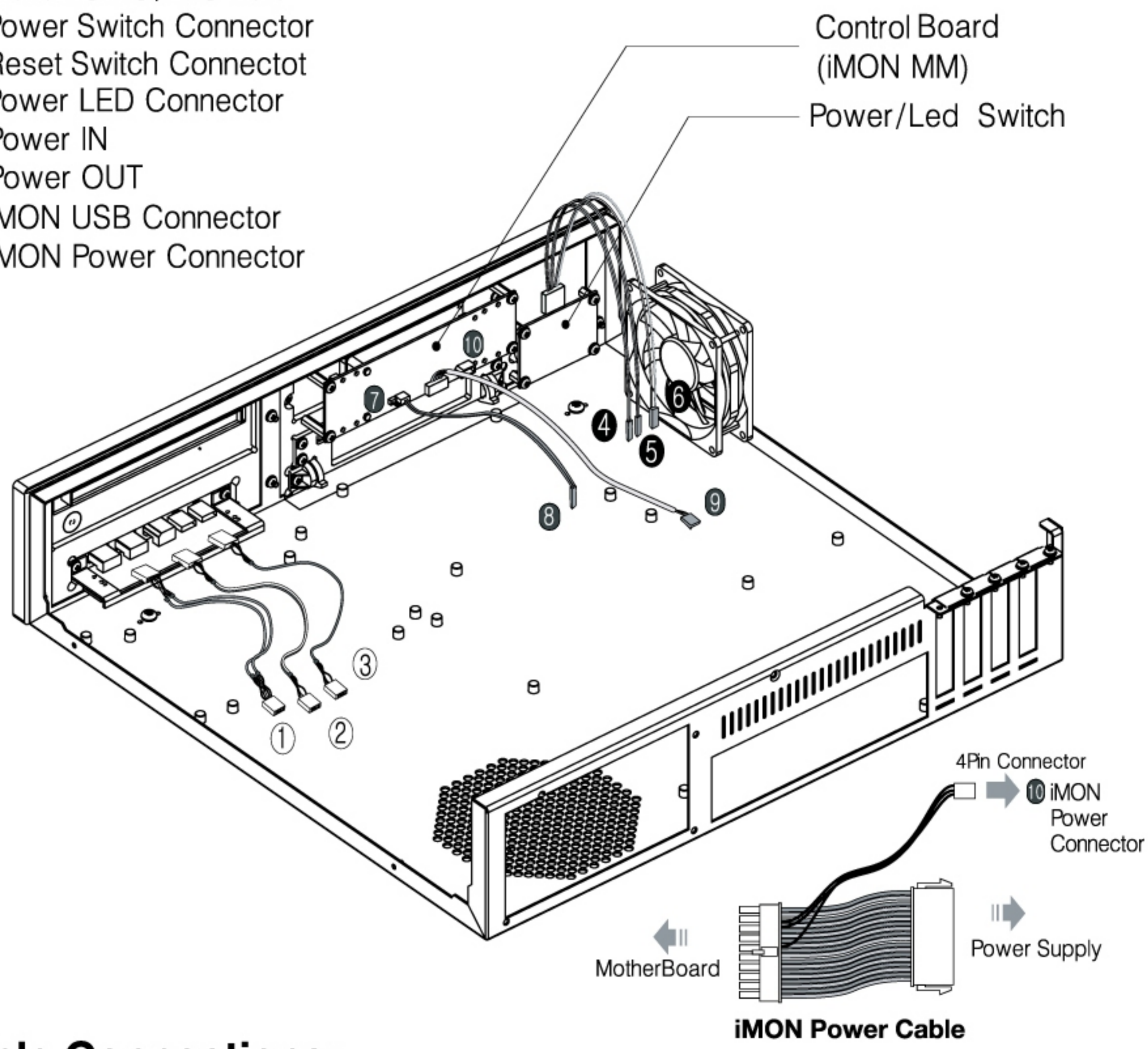
For added cable organization, bring the Front Port Cable and Card Reader Cable toward the Inner Port of the M/B within the space between the M/B and bottom of the chassis before installing the M/B and attaching the Front Port Connector.

MonCaso301 Cable Connector



MonCaso301 Cable Connector

- ① Front USB 2.0 Port
- ② Front IEEE 1394 Port
- ③ Front AUDIO/MIC Port
- ④ Power Switch Connector
- ⑤ Reset Switch Connectot
- ⑥ Power LED Connector
- ⑦ Power IN
- ⑧ Power OUT
- ⑨ iMON USB Connector
- ⑩ iMON Power Connector

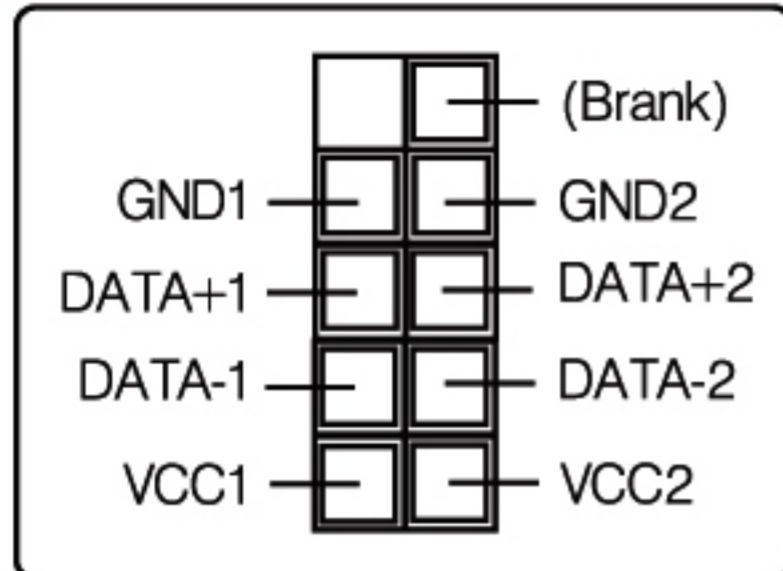


Cable Connections:

- | | | |
|-----------------------------|---|---------------------------|
| ① Front USB 2.0 Connector | → | M/B inner USB Port |
| ② Front IEEE 1394 Connector | → | M/B inner IEEE 1394 Port |
| ③ Front AUDIO/MIC Connector | → | M/B Inner Audio/MIC Port |
| ④ Power Switch Connector | → | iMon Power IN Connector |
| ⑤ Reset Switch Connectot | → | M/B Reset Switch Port |
| ⑥ Power LED Connector | → | PSU 4Pin Connector |
| ⑦ Power IN | → | Switch PCB Power S/W Port |
| ⑧ Power OUT Connector | → | M/B Power Switch Port |
| ⑨ iMON USB Connector | → | M/B Inner USB Port |
| ⑩ iMON Power Connector | → | iMon Power Cable |

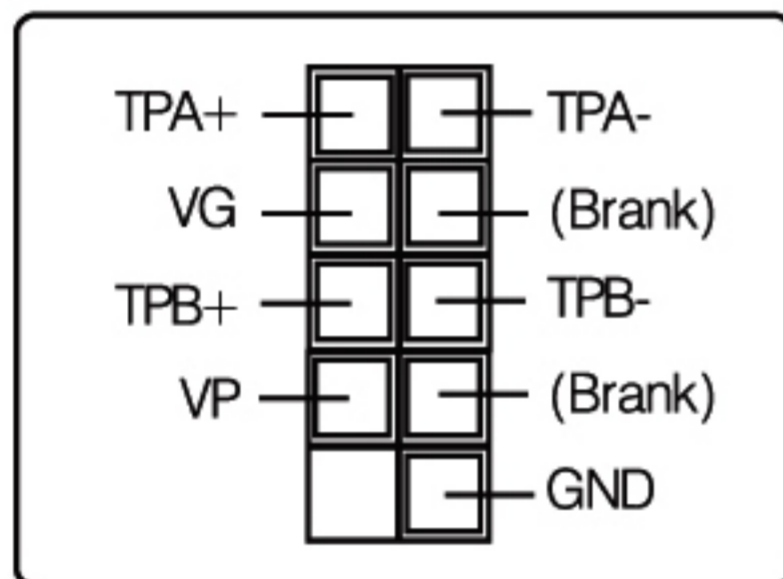
Cable Connections

① Front USB Connector



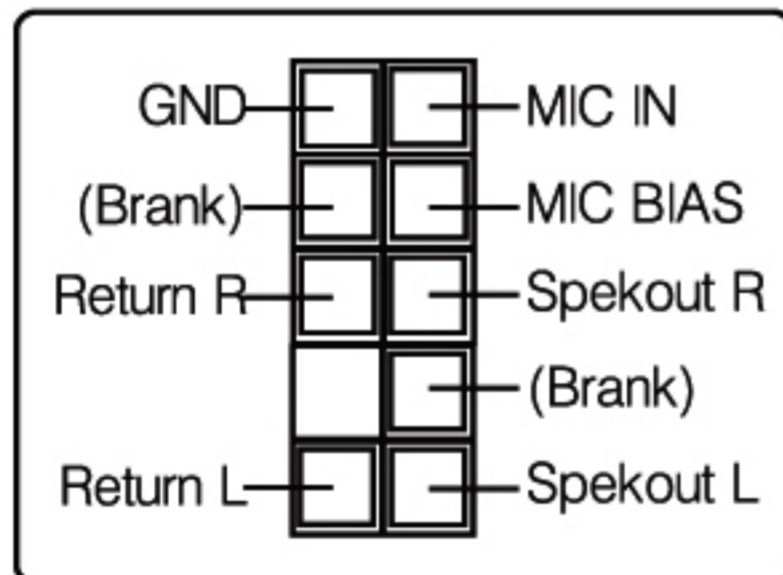
The Front USB Connector indicated by ① is displayed in the diagram to the left. Please refer to your Mother Board Manual to connect the USB Port Pins in the correct ports.

② Front IEEE1394 Connector



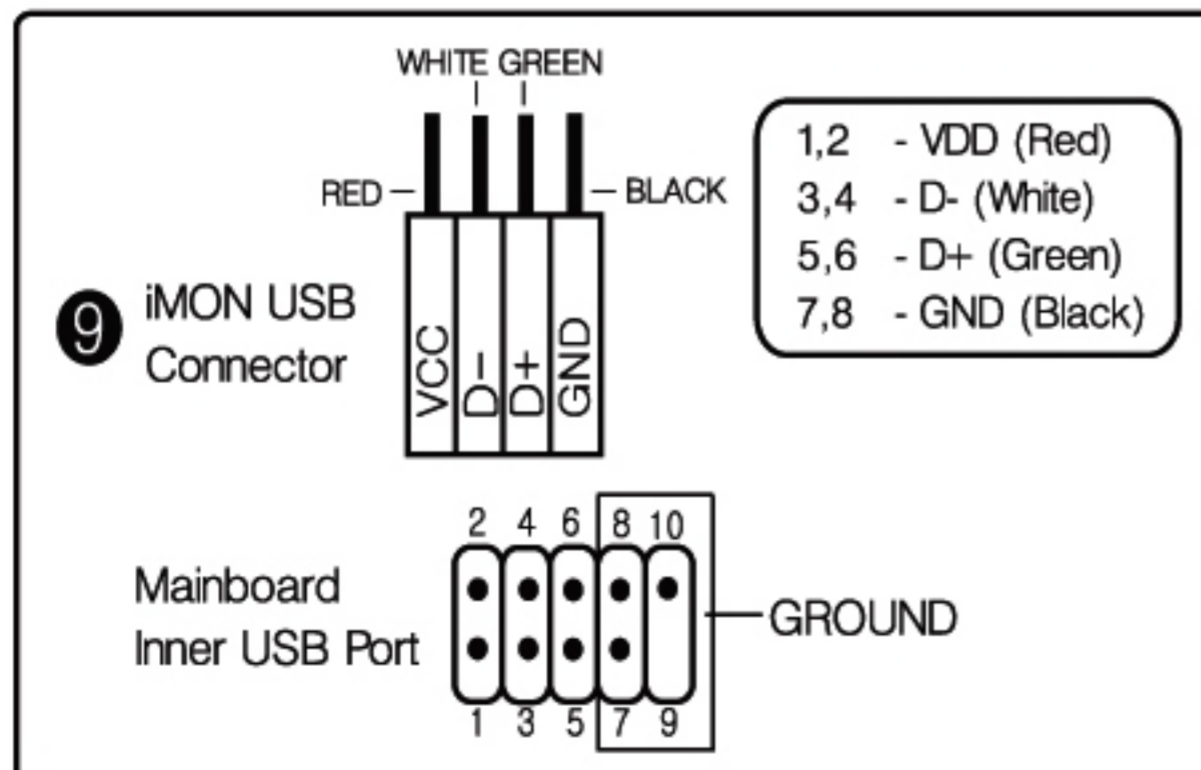
The Front IEEE 1394 Connector indicated by ② is displayed in the diagram to the left. Please refer to your Mother Board Manual to connect the IEEE 1394 Port Pins in the correct ports.

③ Front Audio&MIC Connector



The Front Audio&MIC Connector indicated by ③ is displayed in the diagram to the left. Please refer to your Mother Board Manual to connect the Audio&MIC Port Pin in the correct ports.

⑨ iMon USB Connector



Please refer to your Mother Board Manual to confirm the location of the USB Pin before referring to the diagram ⑨ iMonUSB Connector to connect the USB Port Pins in the correct ports.

iMon Program Download

Please visit the Soundgraph Home page for driver downloads and installations:
<http://www.soundgraph.co.kr/>